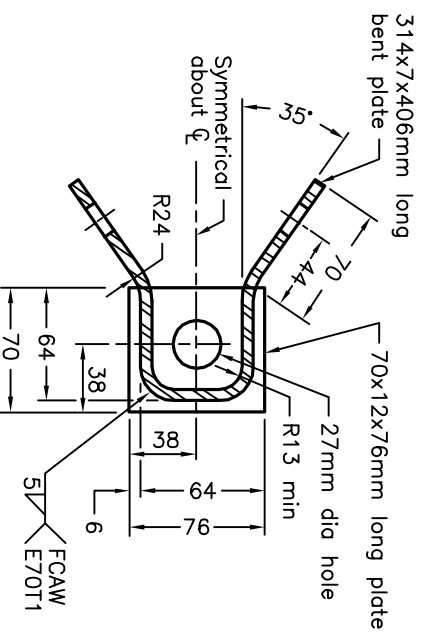
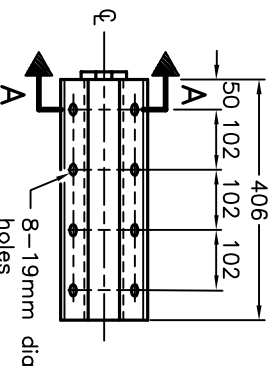
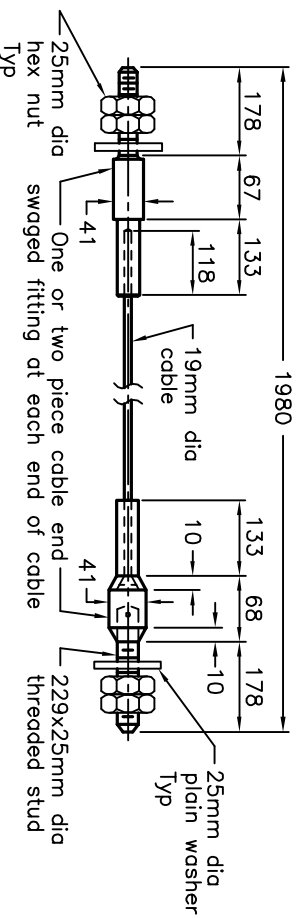


STEEL BEAM GUIDE RAIL



ONTARIO PROVINCIAL STANDARD DRAWING

Nov 2013 Rev 2

ENERGY ATTENUATOR, END TREATMENT  
ECCENTRIC LOADER TERMINAL SYSTEM  
COMPONENT - RAIL AND CABLE ATTACHMENT

OPSD 922.402



NOTES:  
A All dimensions are in millimetres  
unless otherwise shown.