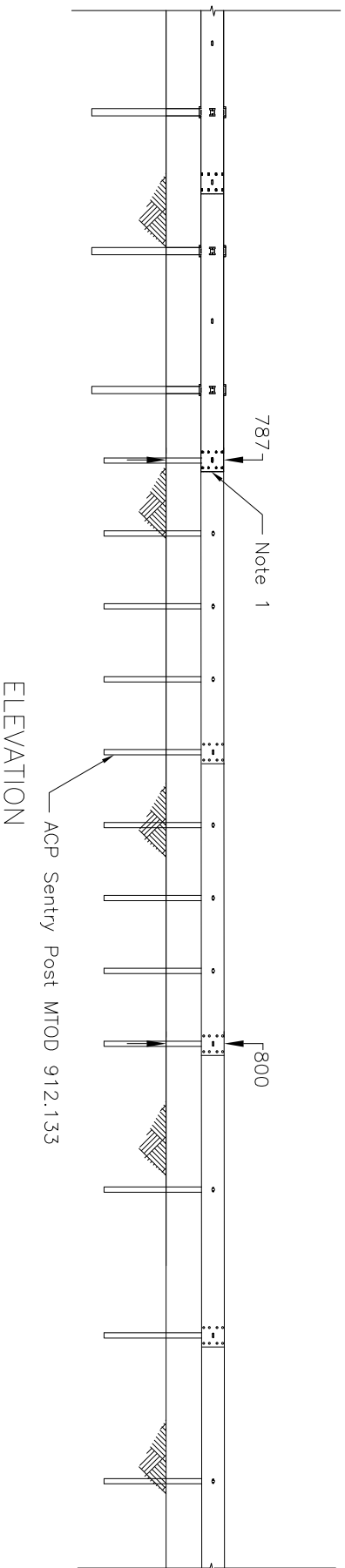


PLAN



- Notes:
1. Rail panel lapping in the direction of travel.
    - A. The system depicted here is a proprietary product.
    - B. All dimensions are in millimetres unless otherwise shown.

MINISTRY OF TRANSPORTATION ONTARIO DRAWING		January 2020	Rev	0
GUIDE RAIL SYSTEM, STEEL BEAM		-----		
SBGR TRANSITION, ACP SENTRY TO		-----		
MASH MAX-TENSION MEDIAN TERMINAL		-----		
		MTOD 912.350		