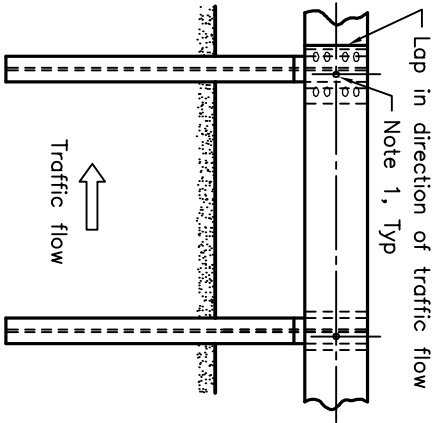
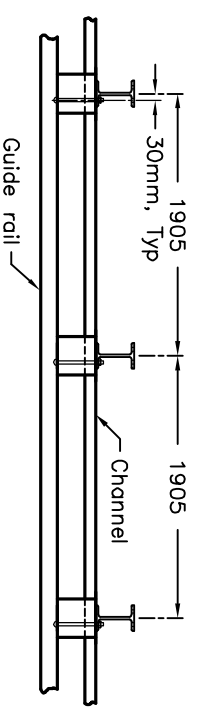
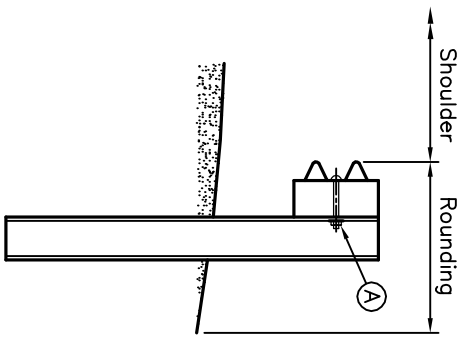


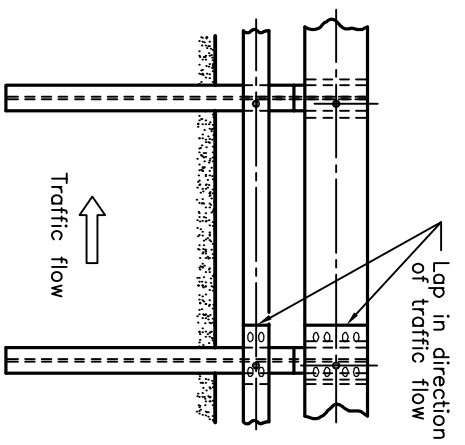
POST BOLT		
Post Bolt Size and Type	Washer @ Nut	
(A) 16x250 BH	Plate	
(B) 16x100 CoB	Plate	



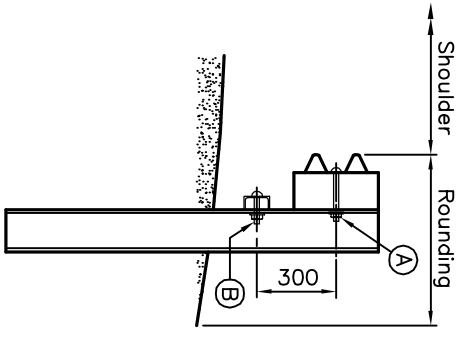
ELEVATION
SINGLE RAIL



SIDE VIEW



ELEVATION
SINGLE RAIL WITH CHANNEL



SIDE VIEW

NOTES:

- 1 Washer shall not be installed at front face of rail. One bolt located at centre of steel beam guide rail.
- A This OPSD to be read in conjunction with OPSD 912.101, 912.102, 912.103, and 912.104.
- B Steel beam guide rail mounting heights shall be as specified.
- C All dimensions are in millimetres unless otherwise shown.

ONTARIO PROVINCIAL STANDARD DRAWING GUIDE RAIL SYSTEM, STEEL BEAM STEEL POST WITH OFFSET BLOCK ASSEMBLY INSTALLATION – SINGLE RAIL	Nov 2016 Rev 3	
OPSD 912.130		