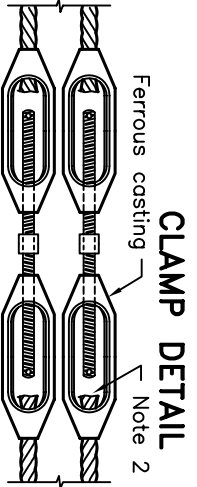
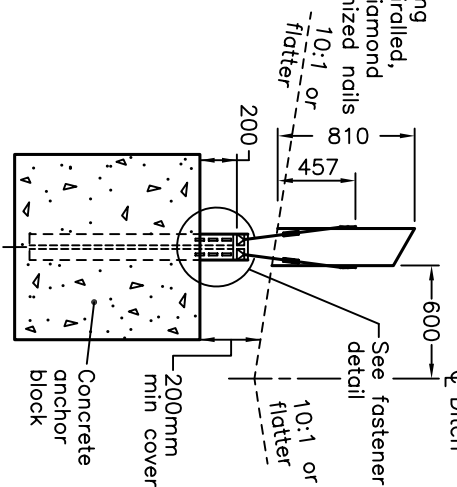
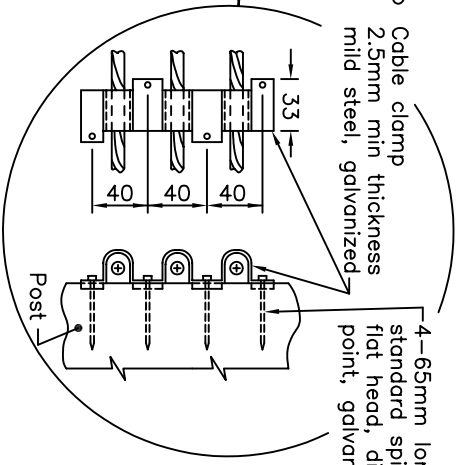
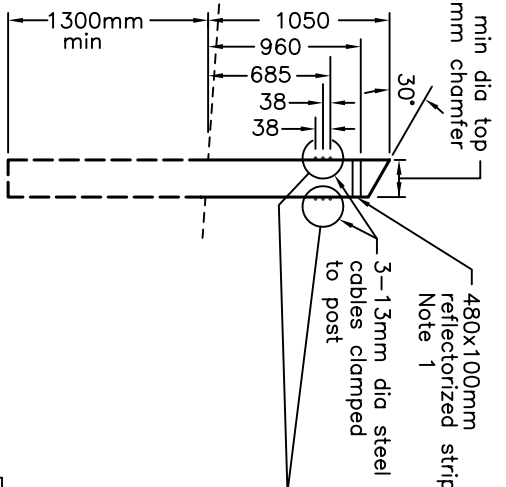


TABLE 1	
RADIUS OF CURVATURE m	ANCHOR BLOCK SPACING m max
Over 600	300
250 to 600	100

NOTES:

- 1 Reflectorized strips on 0.5mm aluminum, fastened to the wooden post with two 50mm aluminum nails.
Reflector spacing shall start at the second post from the traffic approach end and on:
Curves, every third post, and on:
Tangent, every fifth post.
Reflectors according to Ontario Traffic Manual Book 11.
 - 2 Ends of cable strands must protrude the end of the wedge 10mm.
 - 3 Minimum length of installation 46.8m.
- A Cable guide rail shall only be placed on radii 250m or greater.
B This OPSD to be read in conjunction with OPSPD-913.101 and 913.102.
C All dimensions are in millimetres unless otherwise shown.



FASTENER DETAIL

ONTARIO PROVINCIAL STANDARD DRAWING

Nov 2001 Rev 0

GUIDE RAIL SYSTEM, CABLE SIX CABLE - WOOD POST INSTALLATION - MEDIAN

OPSD - 913.131

