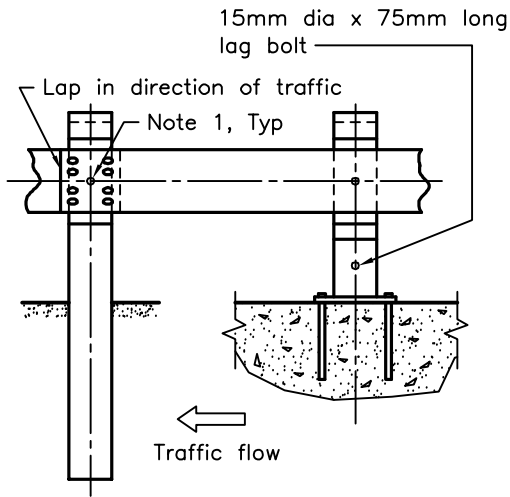
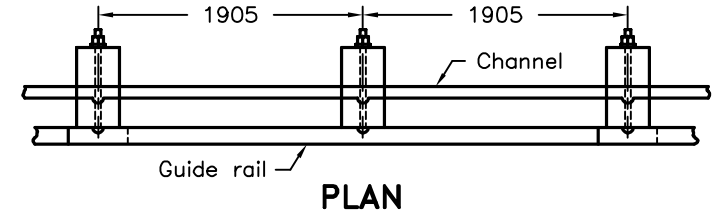
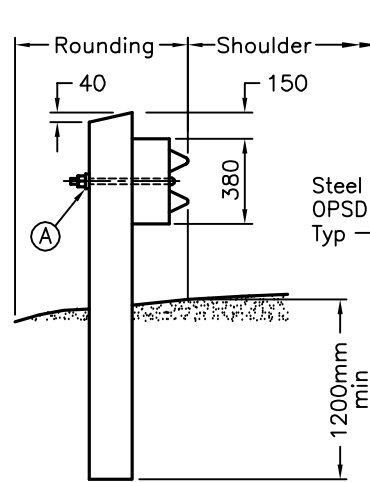


POST BOLT AND HOLE	
Hole Dia	Post Bolt Size and Type
(A) 18	16x460 BH
(B) 18	16x310 CaB

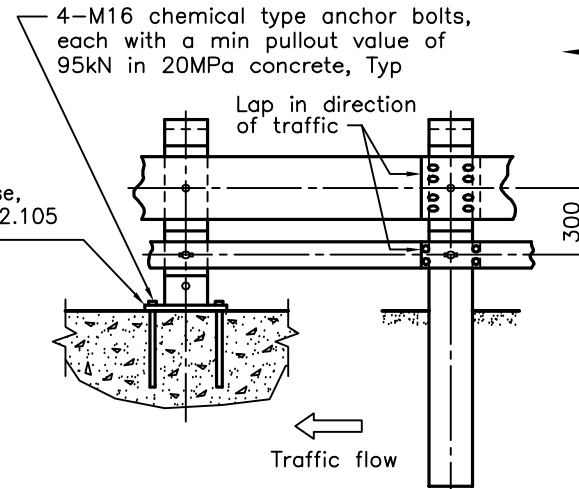


ELEVATION

SINGLE RAIL

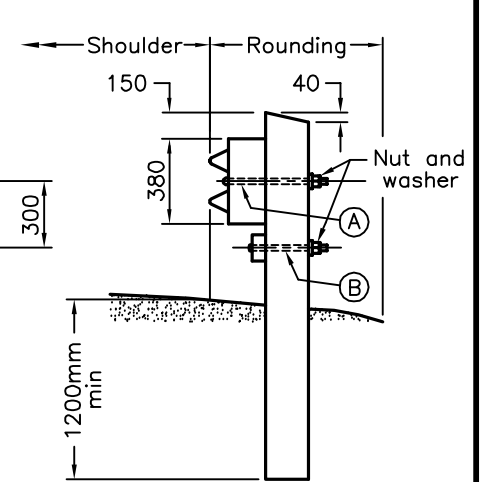


SIDE VIEW



ELEVATION

SINGLE RAIL WITH CHANNEL



SIDE VIEW

NOTES:

1 Washer shall not be installed at front face of rail. One bolt located at centre of steel beam guide rail.

A Wooden posts and offset blocks shall be 190x190mm. Tops to have 25mm chamfer.

B Steel beam guide rail mounting heights shall be as specified.

C This OPSD to be read in conjunction with OPSD 912.101 and 912.102.

D All dimensions are in millimetres unless otherwise shown.

ONTARIO PROVINCIAL STANDARD DRAWING

Nov 2010

Rev 2

GUIDE RAIL SYSTEM, STEEL BEAM
WOODEN POST ASSEMBLY
INSTALLATION - SINGLE RAIL

OPSD 912.140

