

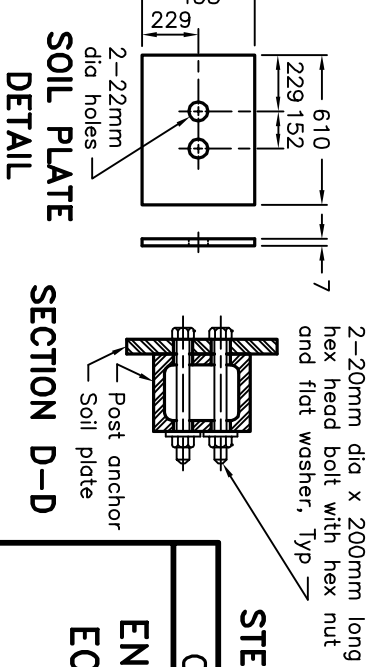
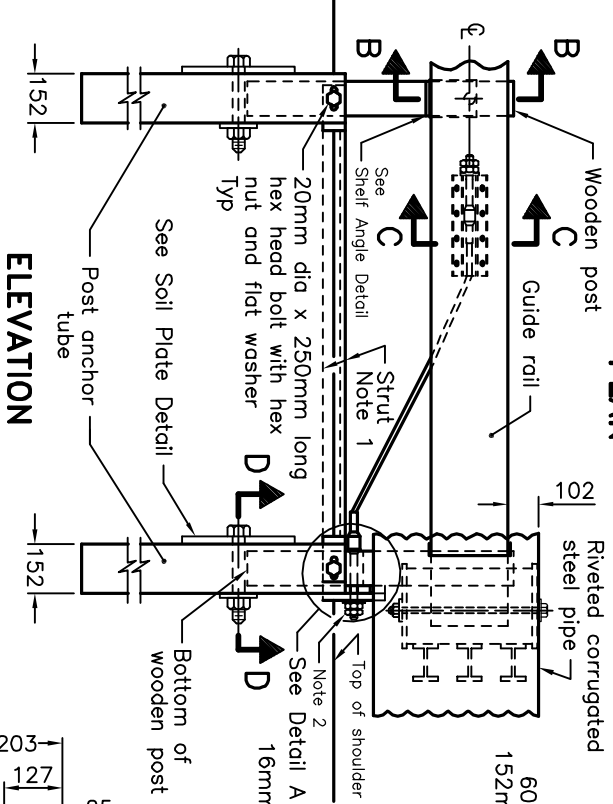
ONTARIO PROVINCIAL STANDARD DRAWING

Nov 2013 Rev 2

ENERGY ATTENUATOR, END TREATMENT ECCENTRIC LOADER TERMINAL SYSTEM ASSEMBLY - LOADER DETAIL



OPSPD 922.410



- NOTES:**
- 1 For right shoulder installations the sides of strut shall face downward and shall face upward on left shoulder installations.
 - 2 Two nuts and a washer shall be installed at each end of the cable assembly.
 - 3 Steel bearing plate shall be secured against rotation using nails into post.
- A All dimensions are in millimetres unless otherwise shown.