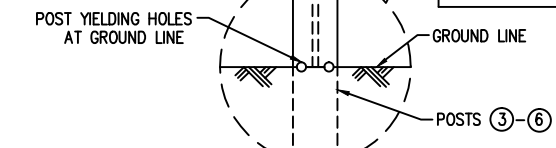
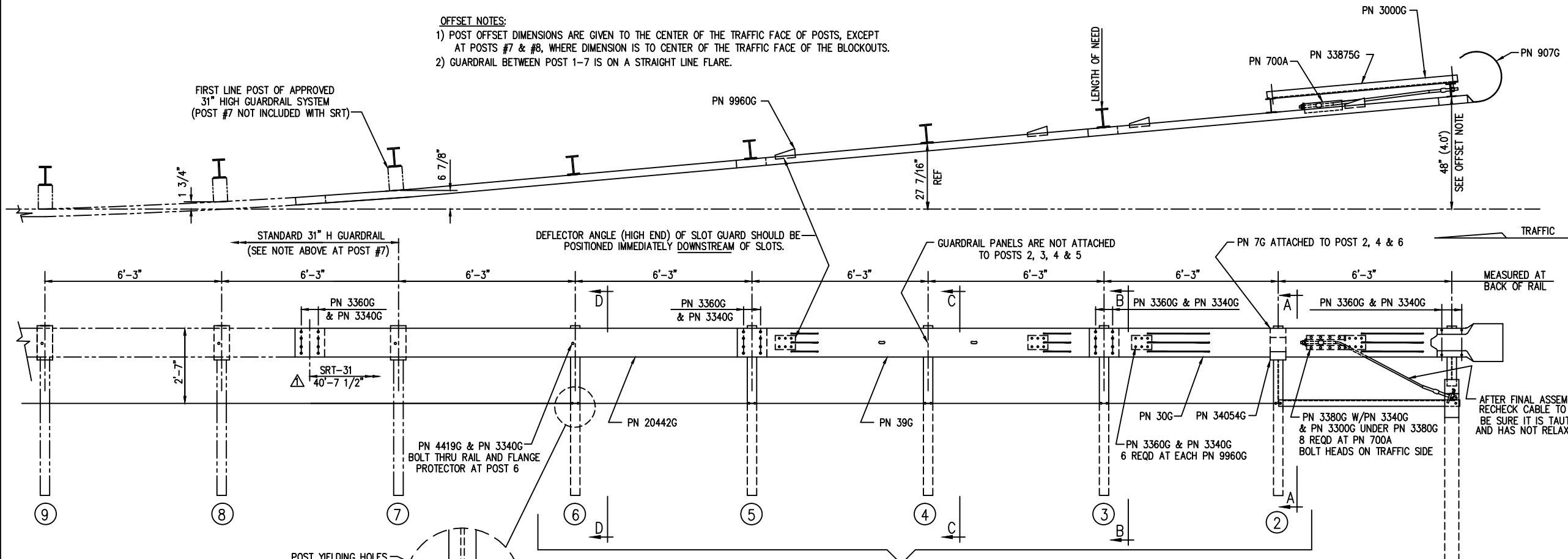


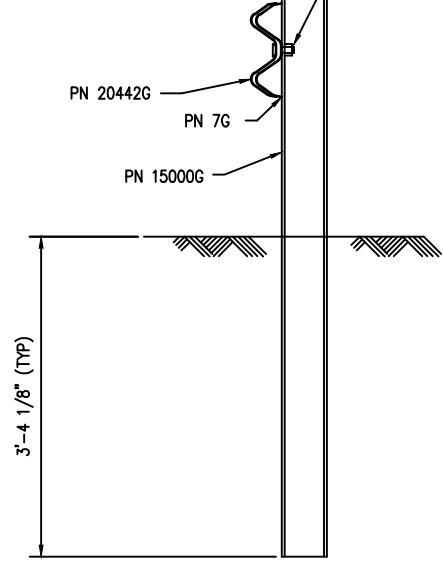
OFFSET NOTES:
 1) POST OFFSET DIMENSIONS ARE GIVEN TO THE CENTER OF THE TRAFFIC FACE OF POSTS, EXCEPT AT POSTS #7 & #8, WHERE DIMENSION IS TO CENTER OF THE TRAFFIC FACE OF THE BLOCKOUTS.
 2) GUARDRAIL BETWEEN POST 1-7 IS ON A STRAIGHT LINE FLARE.

BILL OF MATERIAL

PN	QTY	DESCRIPTION
7G	3	12/6" FLG PROTECTOR (AT POST 2, 4 & 6)
30G	1	12/12/6/S SRT-1 (GUARDRAIL)
39G	1	12/12/6/S SRT-2 (GUARDRAIL)
700A	1	CABLE ANCHOR BRACKET
907G	1	12/BUFFER/ROLLED (TERMINAL)
3000G	1	3/4 x 6'-6" CABLE
HARDWARE		
3240G	2	5/16" WASHER (AT POST 1)
3245G	2	5/16" HEX NUT (AT POST 1)
3300G	12	5/8" WASHER
3340G	67	5/8" HGR NUT
3360G	52	5/8" x 1 1/4" HGR SPLICE BOLT
3380G	8	5/8" x 1 1/2" HEX HD BOLT
3400G	4	5/8" x 2" HGR POST BOLT (AT POSTS 1, 2 & 4)
3391G	2	5/8" x 1 3/4" HEX BOLT (A325) (AT STRUT)
3900G	2	1" WASHER (AT CABLE)
3910G	2	1" HEX NUT (AT CABLE)
4211G	2	5/16" x 1 3/4" HEX BOLT (AT POST 1)
4419G	1	5/8" x 1 3/4" COUNTERSUNK HD BOLT (AT POST 6)
9960G	4	SLOT GUARD BRACKET
15000G	5	6'-0" SYT POST (W6 X 8.5)
20442G	1	12/15'7.5/3'1.5/206'3/S SRT-3(GUARDRAIL)
33909G	1	CABLE ANCHOR BRACKET (AT POST 1)
33875G	1	ANGLE STRUT 3 x 3 x 1/4
34052A	1	CR POST 1 BOT (W6 x 15)
34053A	1	CR POST 1 TOP (W6 x 8.5)
34054G	1	POST SHELF ANGLE (AT POST 2)

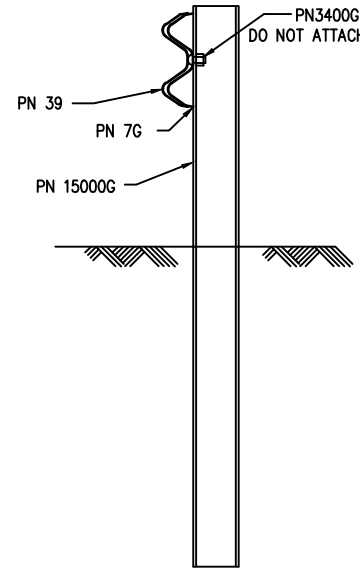


PN4419G W/PN3340G
BOLT THRU RAIL AND FLANGE
PROTECTOR AT POST 6

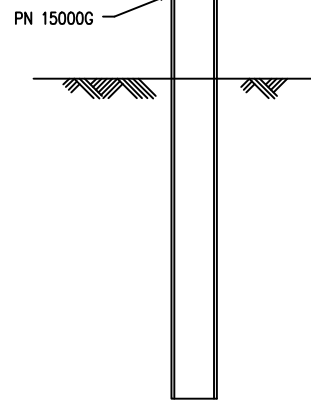


SECTION "D-D"
(@ POST #6)

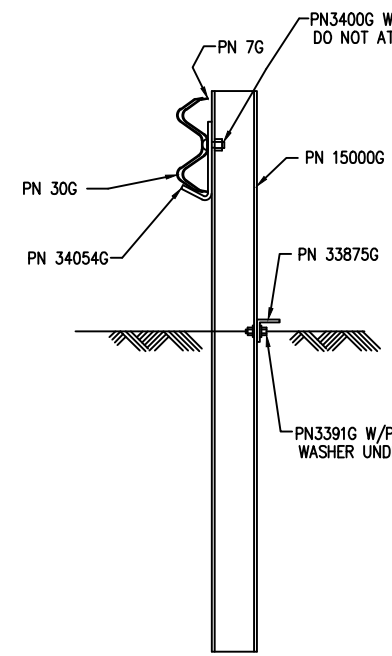
DO NOT ATTACH RAIL TO POST



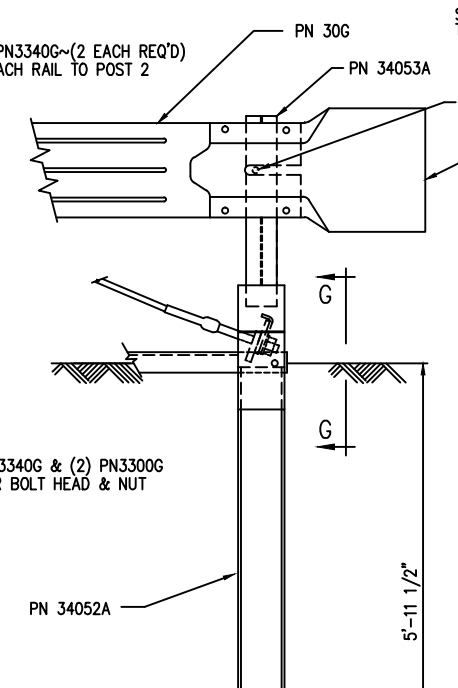
SECTION "C-C"
(@ POST #4)



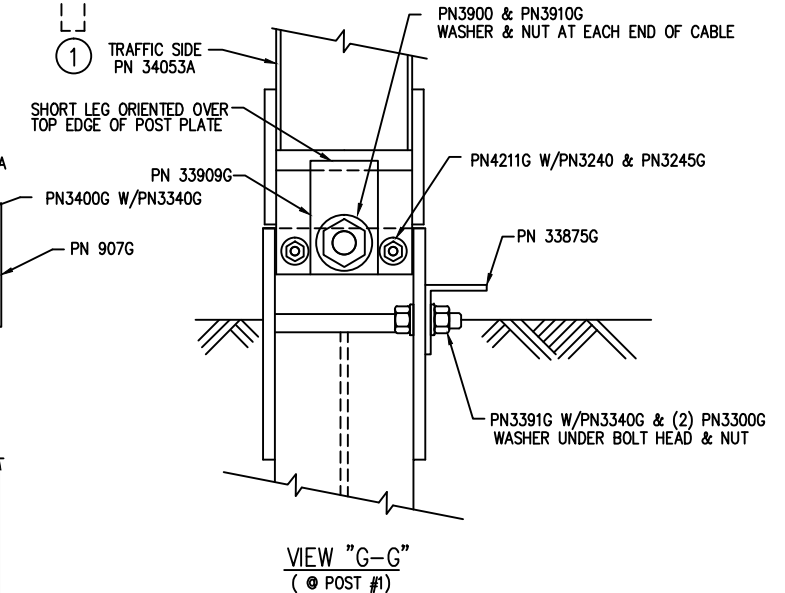
SECTION "B-B"
(@ POST #3 & #5)



SECTION "A-A"
(@ POST #2)

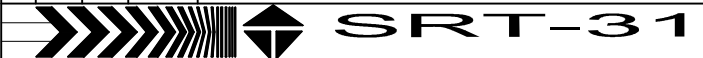


ENLARGED VIEW @ POST #1



VIEW "G-G"
(@ POST #1)

REV.	CHK'D	BY	DATE	REMARKS
1	BT	SSny	8/5/13	DIM MOVED TO CORRECT POSITION



SRT-31 (31" H, 40'-7 1/2")
 SLOTTED RAIL TERMINAL ERECTION DETAILS
 (3 PANELS, 1 CR AND 5 SYT POSTS)

DRAWN	BT
CHECKED	SG
SCALE	NTS
DATE	1-11-13
ENG. FILE #	SS816-01E
SHT.No.	E1 OF 1
DRAWING NO.	SS 616
REV.	1

The drawings and the information shown thereon are copyrighted by Trinity Highway Products (2013) and the sole property of Trinity Highway Products. Neither the drawings nor such information is to be used for any purpose other than that for which it was specifically furnished from Trinity Highway Products, LLC, nor is any reproduction authorized without written permission.

TRINITY HIGHWAY PRODUCTS, LLC.
 2525 STEMMONS FREEWAY
 DALLAS, TX 75207