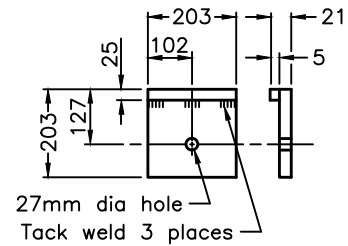
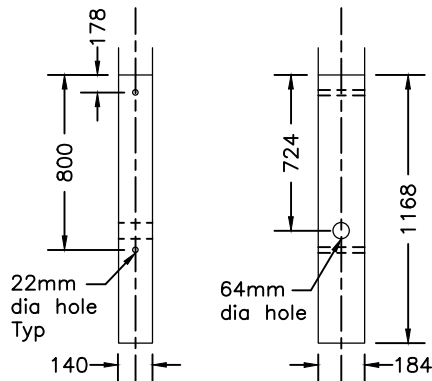


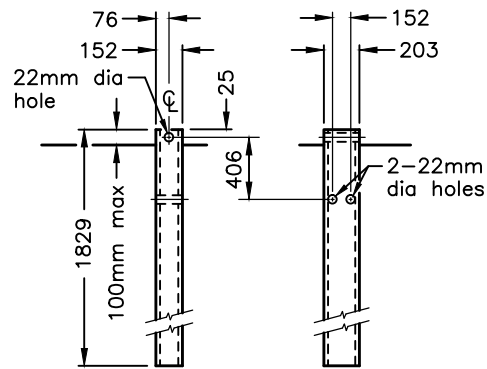
DETAIL A
(STRUTS NOT SHOWN FOR CLARITY)



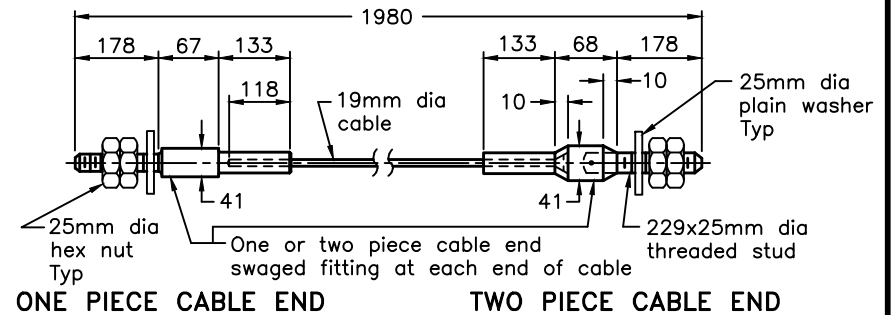
STEEL BEARING PLATE DETAIL



FRONT VIEW SIDE VIEW
BREAKAWAY WOODEN POST



FRONT VIEW SIDE VIEW
POST ANCHOR TUBE
HSS 203.2x152.4x4.78
1829mm long



CABLE ASSEMBLY

Wz-2 oversize
250x250mm
Note 2

Reflective white
Reflective green

Ground surface

2.44m long U channel post,
11mm diameter holes at
50mm/cc, Notes 1 and 2

1200

900mm min
embedment

SNOW PLOW MARKER AND POST

NOTES:

- 1 Minimum weight of post shall be 4.46 kg/m.
- 2 Post and mounting hardware shall be hot dip galvanized after fabrication according to ASTM A 123.
- 3 Steel bearing plate shall be secured against rotation using nails into post.

A All dimensions subject to manufacturing tolerances unless otherwise shown.

B All dimensions are in millimetres unless otherwise shown.

ONTARIO PROVINCIAL STANDARD DRAWING

Nov 2018

Rev 0

**GUIDE RAIL SYSTEM, STEEL BEAM
TYPE M20 AND M30 LEAVING END
TREATMENT POST COMPONENTS**



OPSD 912.257