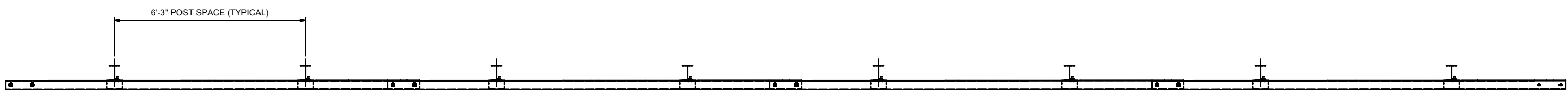
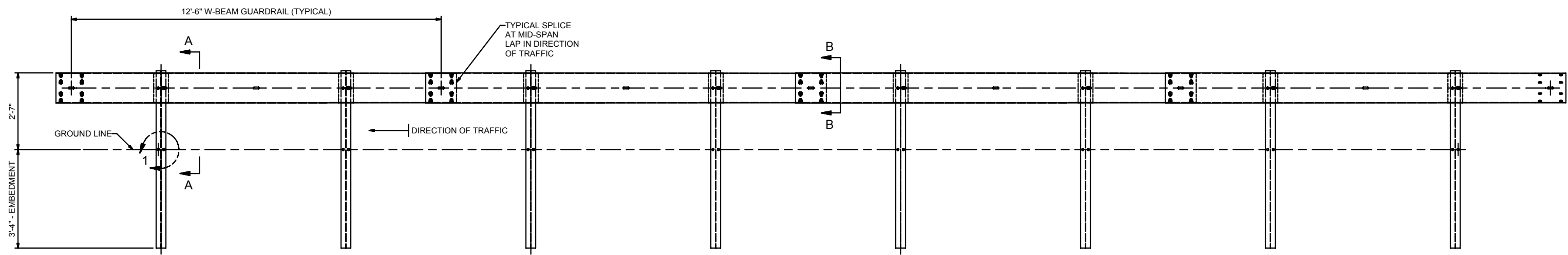


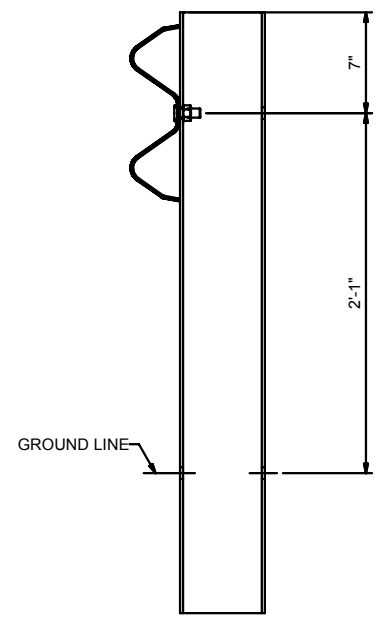
8 7 6 5 4 3 2 1



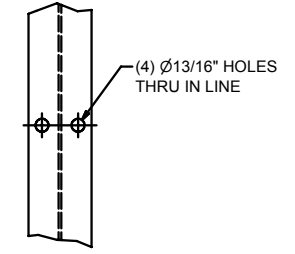
PLAN VIEW



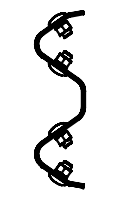
ELEVATION VIEW



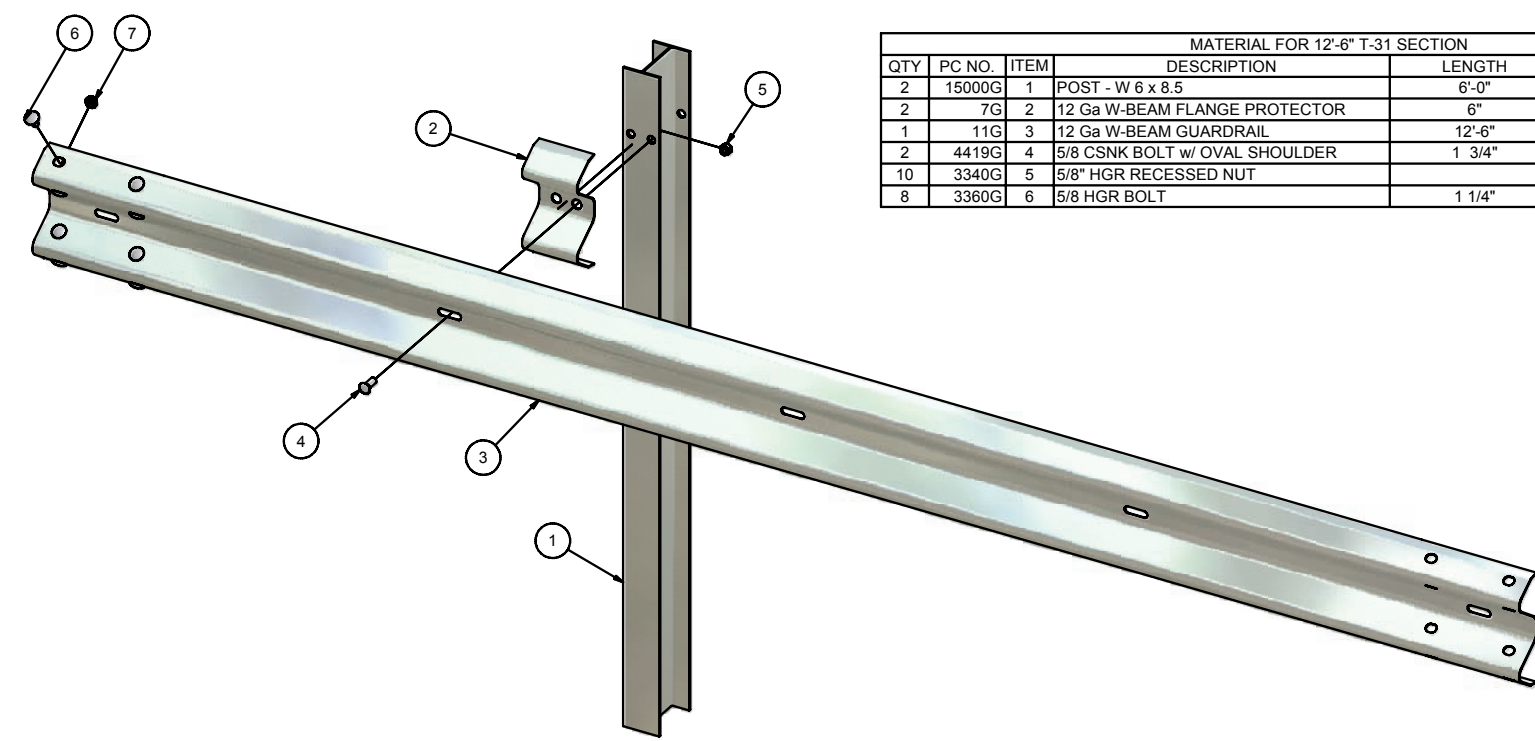
SECTION A-A



DETAIL 1



SECTION B-B
(TYPICAL SPLICE)



T-31 RAIL TO POST ASSEMBLY

MATERIAL FOR 12'-6" T-31 SECTION						
QTY	PC NO.	ITEM	DESCRIPTION	LENGTH	Lbs / Each	MATERIAL
2	15000G	1	POST - W 6 x 8.5	6'-0"	53.74	A36
2	7G	2	12 Ga W-BEAM FLANGE PROTECTOR	6"	3.31	M180
1	11G	3	12 Ga W-BEAM GUARDRAIL	12'-6"	91.12	M180
2	4419G	4	5/8 CSNK BOLT w/ OVAL SHOULDER	1 3/4"	0.20	A307
10	3340G	5	5/8" HGR RECESSED NUT		0.08	A563
8	3360G	6	5/8 HGR BOLT	1 1/4"	0.22	A307

T-31 GUARD RAIL SYSTEM WITH STEEL YIELDING LINE POST (SYLP)		GALV SPEC:
TRINITY HIGHWAY SAFETY PRODUCTS, INC.		SHIPPING WT:
SS-731		DRW: E.A.S. 5/18/2006
1		CHK: B.S. 5/23/2006
1		SHT: 1 OF 1 SIZE: D
1		DWG NO: REV

PROJ: T-31 SYSTEM

8 7 6 5 4 3 2 1