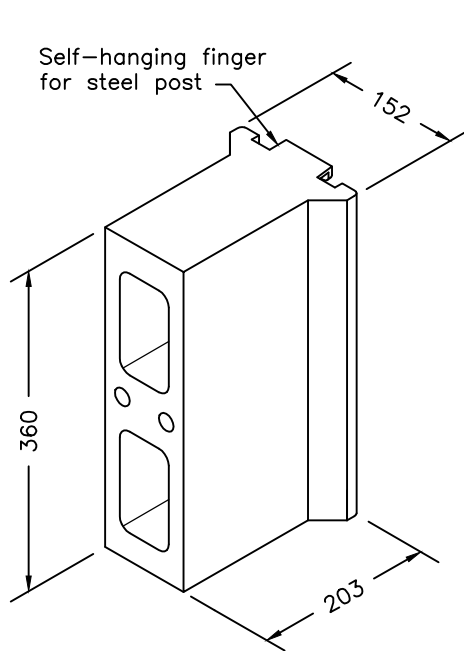
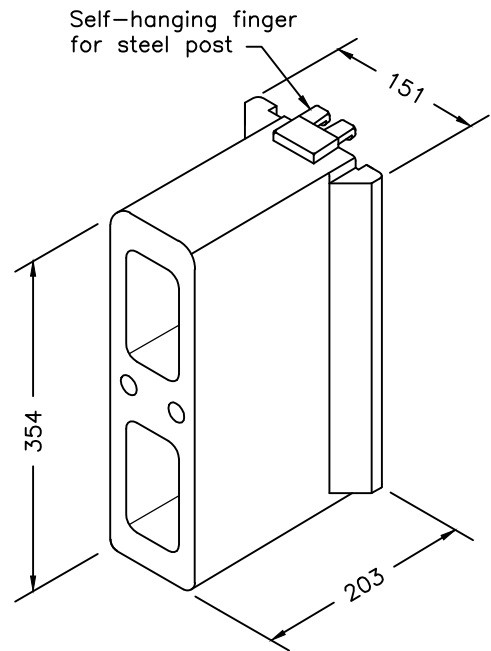


KING OFFSET BLOCK
NOTE 1



MONDO OFFSET BLOCK
NOTE 2



P-BLOCK
NOTE 3

NOTES:

- 1 The component depicted is proprietary to Trinity Industries, Inc.
- 2 The component depicted is proprietary to Mondo Polymer Technologies.

- 3 The component depicted is proprietary to R.G. Steel Corp.
- A All dimensions are in millimetres unless otherwise shown.

ONTARIO PROVINCIAL STANDARD DRAWING

Nov 2020

Rev 3

**GUIDE RAIL SYSTEM, STEEL BEAM
PLASTIC OFFSET BLOCKS
COMPONENT**



OPSD 912.103