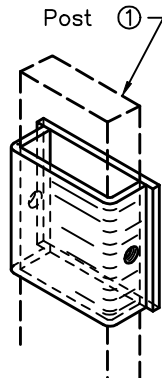
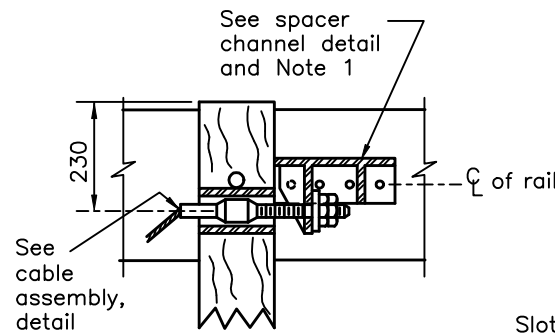


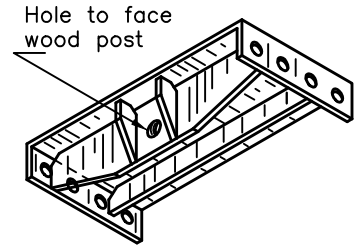
**SECTION A-A
Post 1**



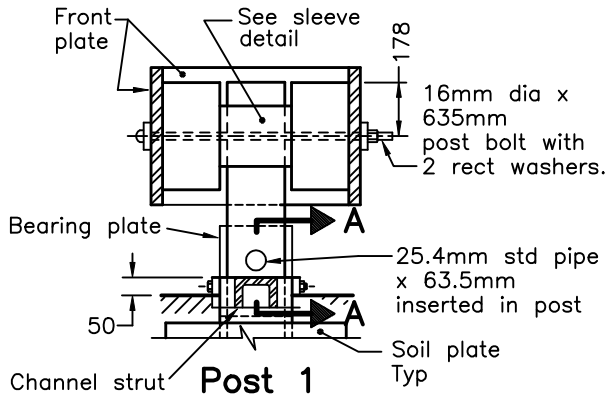
**SLEEVE
DETAIL**



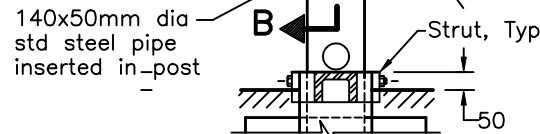
**SECTION B-B
Post 2**



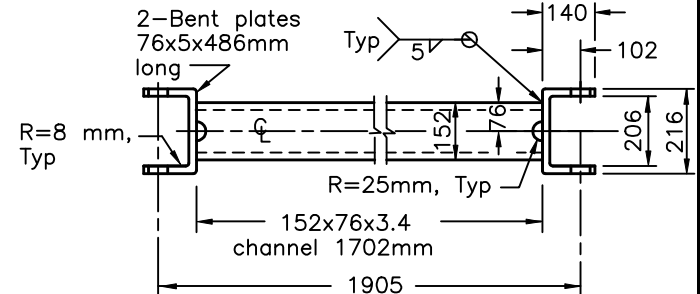
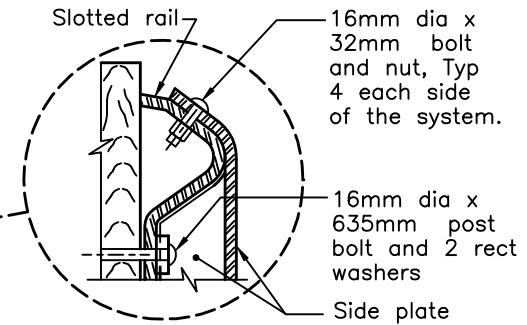
SPACER CHANNEL DETAIL



Post 1



Post 2



PLAN

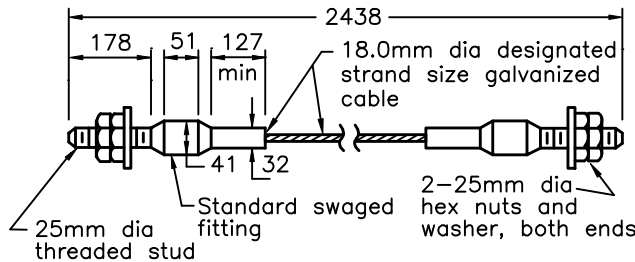


ELEVATION

STEEL STRUT DETAIL

NOTES:

- 1 Spacer channel attached between two rails with 4-16mm dia x 38 mm long hex head bolts and nuts in 19mm dia holes each side.
- A The device depicted on this drawing is proprietary to Syro Steel Co.
- B This standard to be read in conjunction with OPSD-951.01, 951.02, 951.03 and 951.05.
- C All dimensions are in millimetres or metres unless otherwise shown.



CABLE ASSEMBLY DETAIL

ONTARIO PROVINCIAL STANDARD DRAWING		Date	1992 07 08	Rev	
CRASH-CUSHION ATTENUATING TERMINAL, CAT		Date _____			
CONNECTION DETAILS					
POSTS 1 AND 2		OPSD - 951.04			