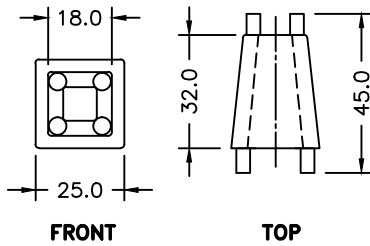
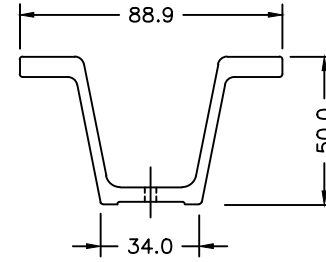


C BRACKET

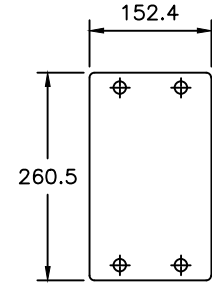


SPACER FOR SIGN TO POST

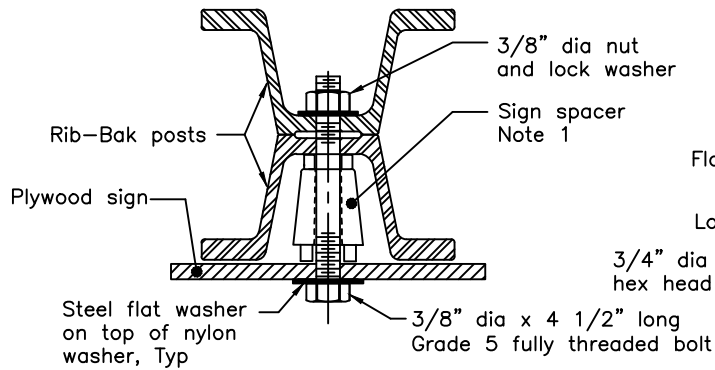
Note 1



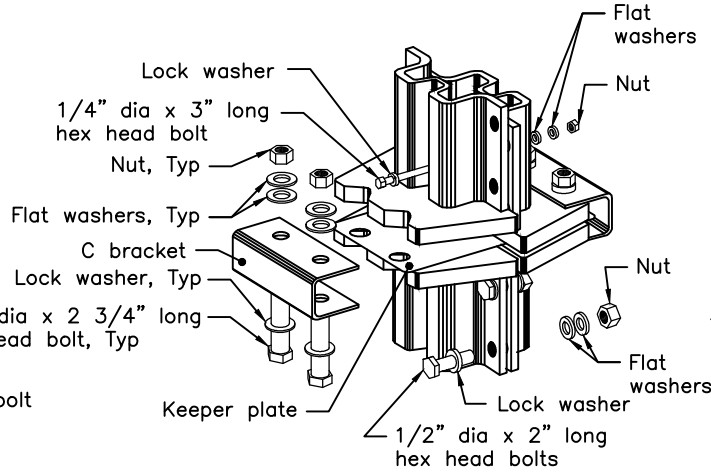
5.95 kg/m (4 lb/ft) RIB-BAK POST



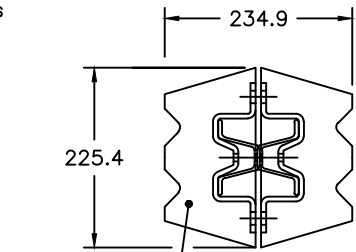
KEEPER PLATE



SIGN ASSEMBLY

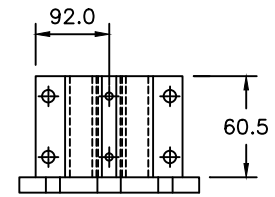


DETAIL A



19mm Steel

TOP



SIDE

NOTES:

- 1 Sign spacers shall be molded from Acrylonitrile Butadiene Styrene thermoplastic resin with an ultraviolet inhibitor finish.
- A The system depicted on this OPSD is a proprietary system and shall be installed according to manufacturer's specifications.
- B Posts shall be manufactured from hot rolled carbon steel bars according to Marion Steel Company Grade SP-80 having minimum yield strength of 552 MPa according to ASTM A 499.
- C Posts shall be perforated with 9.5mm diameter holes @ 25mm c/c spacing.
- D Posts shall be hot dip galvanized after fabrication.
- E All dimensions are in millimetres unless otherwise shown.

ONTARIO PROVINCIAL STANDARD DRAWING	Nov 2018	Rev 0	
INTERMEDIATE SIGN SUPPORT SYSTEM			
SLIP-SAFE SUPREME RIB-BAK BREAKAWAY SYSTEM			
COMPONENTS			OPSD 992.101